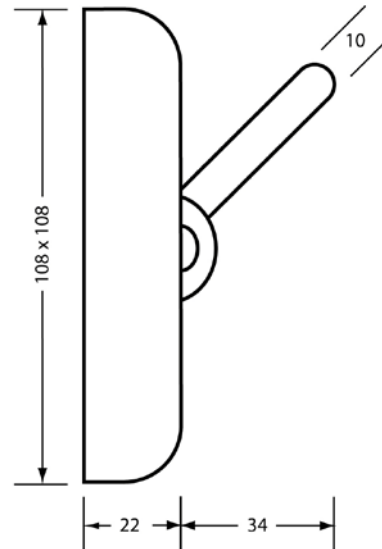




MATERIAL SPECIFICATION & INSTALLATION GUIDE

PRODUCT ITEM CODE & DESCRIPTION

ML 2123 ~ STAINLESS STEEL COLLAPSIBLE HOOK



COMPONENT MATERIALS / FEATURES:

#304 Grade 12g Stainless Steel, Exposed Surfaces #4 (S) Finish / Suicide Resistant Spring Loaded Pivot Hook (10mm \varnothing) With 12kg Drop-down Load Capacity / Hook Internal Housing - 14g Material / Front Fix Mounting Using 4 off Countersunk Screws (not included)

DIMENSIONS:

Overall ~ 108mm W x 108mm H x 56mm D (Hook in upright position)

INSTALLATION:

1. May be subject to Australian Building Code Regulations for able bodied and/or Healthcare use as may be applicable; to be surface mounted to appropriate substrate using quality fasteners/screws for the material being affixed into.
2. It is recommended that the unit is installed whereby it clears any other fixtures by at least 100mm
3. Locate height, place unit onto substrate & mark holes (4 off 70mm C to C ~ 100mm X diagonal) on wall/surface
4. Using pre-marked points, drill fixing holes into substrate and position appropriate anchors and then fasten through front panel holes and secure firmly.
5. Test load hook for operational integrity.

NOTE: Not recommended for use with materials exceeding a constant gross weight of 11kg
These units should only be installed by a competent tradesperson and Metlam Australia takes no responsibility for any damage to walls or fixtures due to incorrect installation.