

MATERIAL SPECIFICATION

PRODUCT ITEM CODE & DESCRIPTION

Series 100 ~ INDICATOR SET



INDICATOR

OPTIONS DEPICTED BELOW



TURNBOLT



STAPLE



T Handle Turnbolt



117 - Z Lift Off Staple

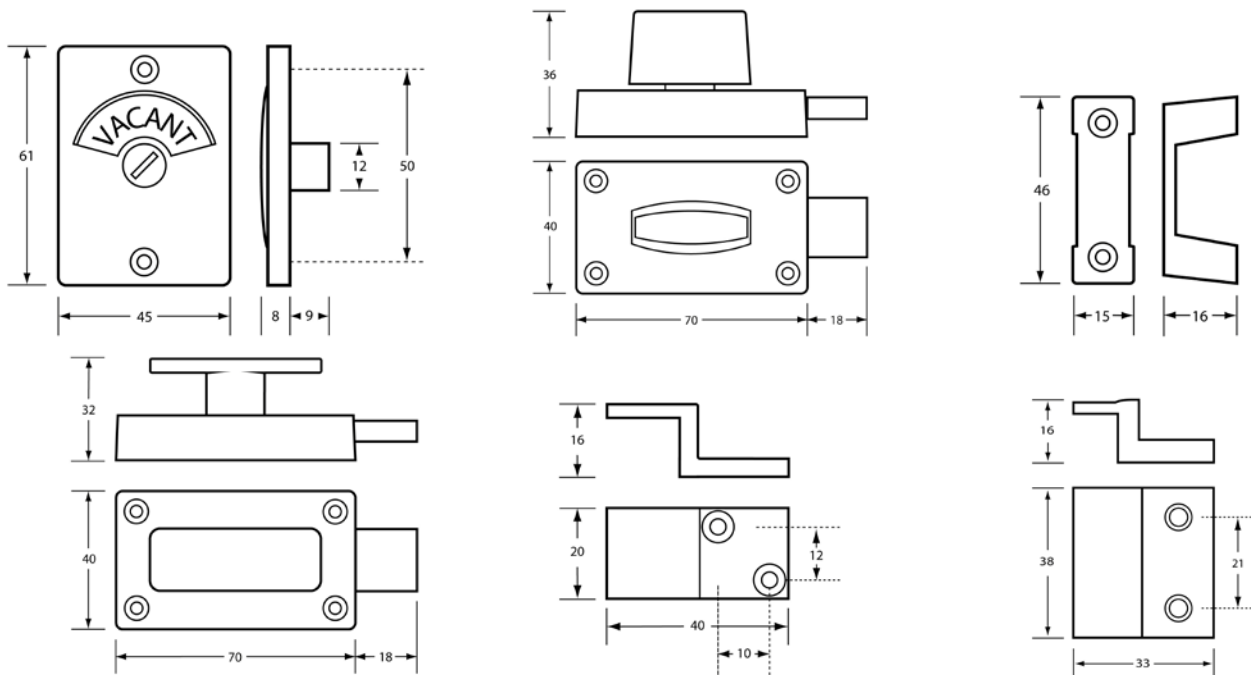


117C - Concealed Fix LO Staple

MATERIAL SPECIFICATIONS:

Indicator - ABS / Indicator Faceplate, Turnbolt Handle & Body and Staple - Zinc Diecast / Backing plate in Turnbolt - #304 Grade Stainless Steel (NOTE: Available in SCP or BCP Finish)

DIMENSIONS:



These units should only be installed by a competent tradesperson and Metlam Australia takes no responsibility for any damage to walls or fixtures due to incorrect installation.

The photographs and line drawings of the products presented above are representational only. Metlam Australia Pty Ltd reserves the right to, and from time to time, make changes and improvements in design and dimensions.