

## ML248\_TRH\_SS Large Toilet Roll Holder

### Material Specifications

- #304 Stainless Steel

### Mounting

- Recess Mount Concealed Fix

### Dimensions

- **Overall Size:** 181mm W x 181mmH x 107mmD
- **Wall Opening:** 129mm H x 129mm W x 197mm D

### Finish

- Satin Stainless Steel

### Installation Guidelines

- *May be subject to Australian Building Code Regulations for able bodied and/or disabled use. Security Screws are supplied.*

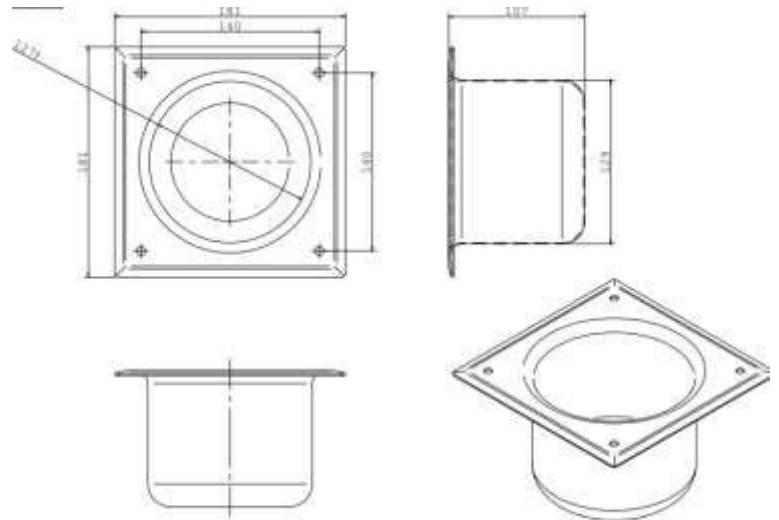
1. Create wall opening to dimensions noted. 129mm H x 129mm W x 110mm D

2. On the perimeter of the holder, place a suitable amount of an adhesive or high strength bonding agent.

3. Place the unit into the wall opening. Level the unit and push firmly so that it sits flush with outer wall section.

4. Firmly screw the holder into place and leave the adhesive to set for 24 hours before using.

- **Note:** Apply ample silicone around the fixings to avoid water ingress.



The technical recommendations contained in this document are necessarily of a general nature and should not be relied on for specific applications without first securing competent advice. Whilst Metlam Australia Pty Ltd has taken all reasonable steps to ensure the information contained herein is accurate and current, it does not warrant the accuracy or completeness of the information and does not accept liability for errors or omissions. Any Commercial product should only be installed by a competent tradesperson

The photographs and line drawings of the products presented above are representational only. Metlam Australia Pty Ltd reserves the right to, and from time to time, make changes and improvements in design and dimensions

# Installation Guidelines Sheet

