

## ML726 Series Stainless Steel Paper Towel Dispenser

### Material Specifications

- #304 Stainless Steel or Cold Rolled Steel

### Mounting

- Surface Mounted Concealed Fix

### Dimensions

- 282mmW x 210mmH x 104mmD

### Finish

- ML726SS:** Satin Stainless Steel
- ML726W:** White Powder Coat

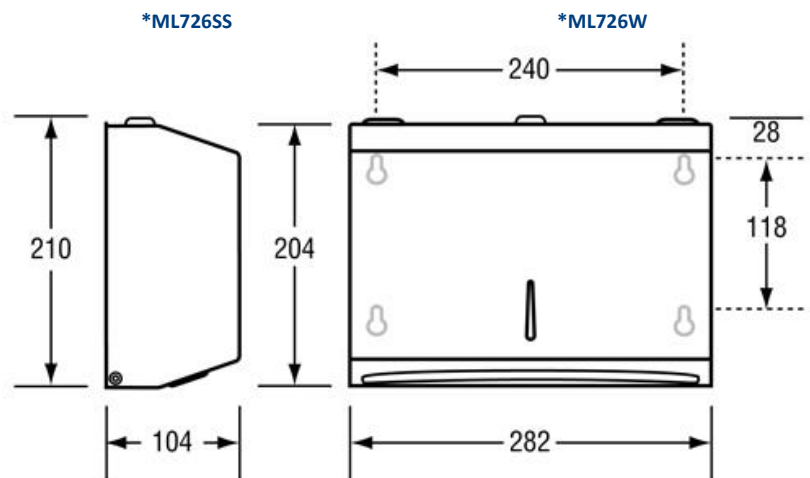
### Installation Guidelines

- May be subject to Australian Building Code Regulations for able bodied and/or disabled use.
- Fixings and anchors are not included with the units and are the responsibility of the installer to appropriately fix the unit to the wall.

- Determine appropriate height and location by using the internal located fixing holes.
- Mark and drill holes into the wall, fit anchors if necessary.
- Fasten unit to the wall with appropriate fixings.
- Test the open/close mechanism for ease of operation to complete installation.

### Features

- Paper Type: 250 C-fold paper towels or 300 Multi-fold paper towels
- Unit fitted with tumbler lock
- Front View Paper Indicator



This product is AS1428.1 compliant (accessible compliant) when installed in accordance with the guidelines.

*The technical recommendations contained in this document are necessarily of a general nature and should not be relied on for specific applications without first securing competent advice. Whilst Metlam Australia Pty Ltd has taken all reasonable steps to ensure the information contained herein is accurate and current, it does not warrant the accuracy or completeness of the information and does not accept liability for errors or omissions. Any Commercial product should only be installed by a competent tradesperson*

The photographs and line drawings of the products presented above are representational only.

Metlam Australia Pty Ltd reserves the right to, and from time to time, make changes and improvements in design and dimensions.

---

*and serviced/maintained by knowledgeable janitorial staff or competent people. Metlam Australia accepts no responsibility for any damage to product, walls or fixtures due to incorrect installation or maintenance of any of their products.*

The photographs and line drawings of the products presented above are representational only.  
Metlam Australia Pty Ltd reserves the right to, and from time to time, make changes and improvements in design and dimensions.