

ML950_12 Stainless Steel Utility Shelf

Material Specifications

- #304 Grade 1.5mm thick Stainless Steel
- #3 Satin Finish
- All shelf sides and bottom edges rounded and folded.

Dimensions

- 300mmW x 105mmH x 127mmD
- 4 Mounting Holes

Finish

- Satin Stainless Steel

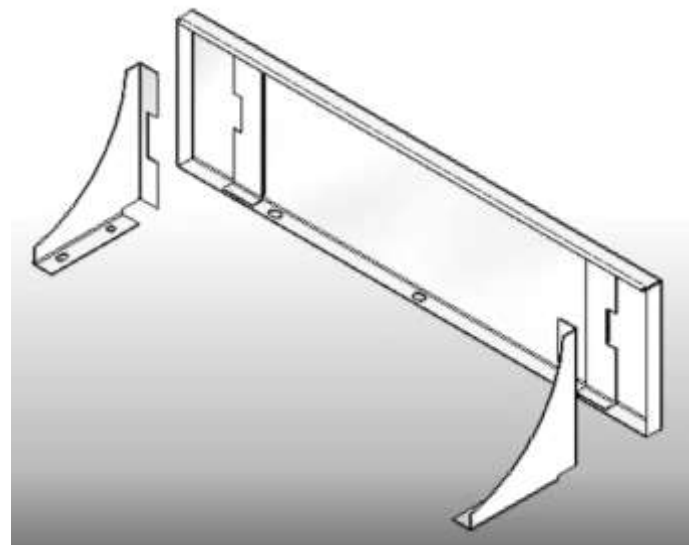
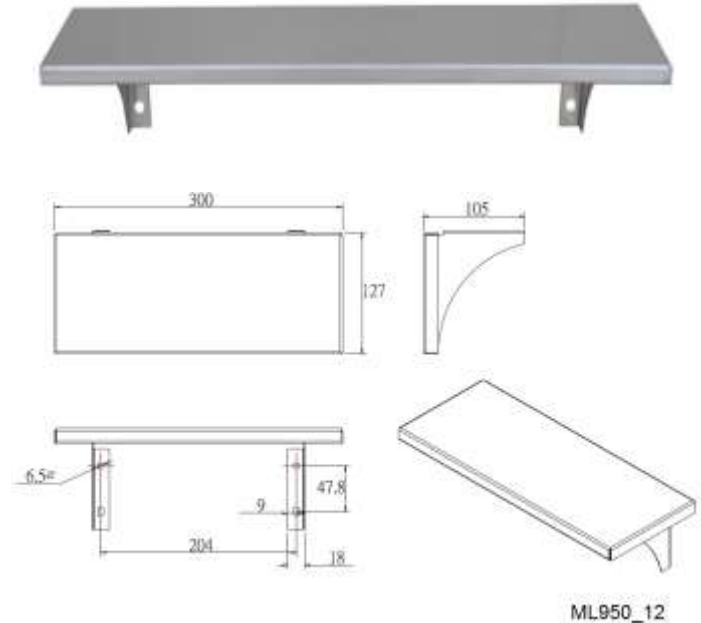
Installation Guidelines

- *May be subject to Australian Building Code Regulations for height and location fixing and may be subject to placement as per architectural drawings. In all cases, this is the responsibility of the installer.*

1. Slide the 2 brackets into the slot on the underside of the shelf.
2. Locate position/height on wall and mark using fixing holes on wall brackets, ensuring unit is level.
3. Drill holes and loosely secure unit to wall surface using screws and wall plugs provided.
4. Check the shelf is level and tighten screws to finish installation.

Operation

- Shelf is stable and secure if installed correctly and is suitable for storage of dry or wet items.



This product is AS1428.1 compliant (accessible compliant) when installed in accordance with the guidelines.

The technical recommendations contained in this document are necessarily of a general nature and should not be relied on for specific applications without first securing competent advice. Whilst Metlam Australia Pty Ltd has taken all reasonable steps to ensure the information contained herein is accurate and current, it does not warrant the accuracy or completeness of the information and does not accept liability for errors or omissions. Any Commercial product should only be installed by a competent tradesperson and serviced/maintained by knowledgeable janitorial staff or competent people. Metlam Australia accepts no responsibility for any damage to product, walls or fixtures due to incorrect installation or maintenance of any of their products.

The photographs and line drawings of the products presented above are representational only.
Metlam Australia Pty Ltd reserves the right to, and from time to time, make changes and improvements in design and dimensions.