

## ML992\_CL Compact Laminate Folding Shower Seat

### Material Specifications

- #304 Satin Stainless Steel Frame, 25mm<sup>2</sup> Tube
- 13mmT White Compact Laminate Seat with Black Edging & Drainage Slots

### Dimensions

- 355mmW x 205mmH x 315mmD

### Mounting

- Surface Mount Visible Fix
- Projection when folded up 140mm

### Installation Guidelines

- *May be subject to Australian Building Code Regulations for height and location fixing and may be subject to placement as per architectural drawings. In all cases, this is the responsibility of the installer.*
- *Fixings and anchors are not included with the units and are the responsibility of the installer to appropriately fix the unit to the wall. The supporting wall must be adequately reinforced to carry the weight load.*

1. Secure the shower seat to the wall using the mounting holes on the unit.
2. Fasten unit flanges and guide bracket to concealed anchor or blocking plate with the appropriate hardware.
3. Ensure unit is level and secure to finish installation.

### Operation

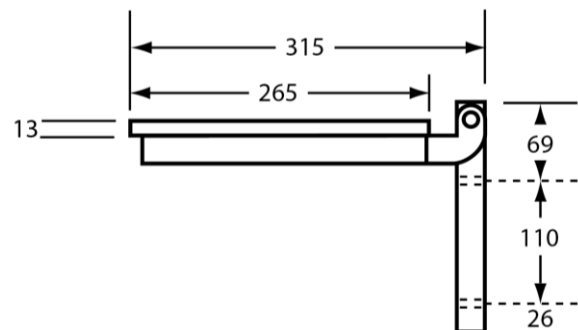
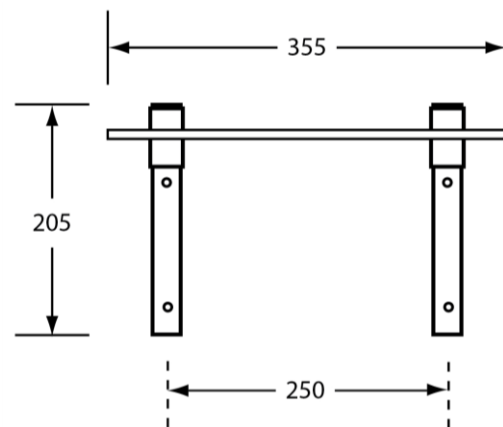
- Hinged seat folds up against the wall and out of the way when not in use.
- Requires one hand operation to manually lower or raise seat.

### Features

- Low profile upright storage position.
- Compact Laminate defends against stains and wear and tear, it is also moisture resistant. The materials extreme durability is suited for use in schools, universities, shopping centres, hotels, wet areas and healthcare facilities.

### Safety Warning

- Ensure that there is proper structure support within the wall. Shower seats are no stronger than the anchors and walls to which they are attached. Shower seats must be firmly secured in order to support the loads for which they are intended.



25mm<sup>2</sup> Stainless Steel Tubing Frame

# Installation Guidelines Sheet



---

*The technical recommendations contained in this document are necessarily of a general nature and should not be relied on for specific applications without first securing competent advice. Whilst Metlam Australia Pty Ltd has taken all reasonable steps to ensure the information contained herein is accurate and current, it does not warrant the accuracy or completeness of the information and does not accept liability for errors or omissions. Any Commercial product should only be installed by a competent tradesperson and serviced/maintained by knowledgeable janitorial staff or competent people. Metlam Australia accepts no responsibility for any damage to product, walls or fixtures due to incorrect installation or maintenance of any of their products.*

The photographs and line drawings of the products presented above are representational only.  
Metlam Australia Pty Ltd reserves the right to, and from time to time, make changes and improvements in design and dimensions.