

MLR119CMKII Series Curved Rail Padded Backrest

Material Specifications

- #304 Satin Stainless-Steel Frame & Mounts
- White Padded PVC Backrest

Mounting

- Concealed Fix

Finish

- MLR119CMKII: Satin Stainless Steel
- MLR119CMKII_DESIGNER: Designer Black

Installation Guidelines

- *May be subject to Australian Building Code Regulations for height and location fixing and may be subject to placement as per architectural drawings. In all cases, this is the responsibility of the installer.*
- *Fixings and anchors are not included with the units and are the responsibility of the installer to appropriately fix the unit to the wall.*

1. Remove wall mount from the cover by undoing the set screw on each cover. Keep the set screws aside.
2. Use Figure 1 (refer to drawing below) and the holes on the mounting bracket as a guide to mark the holes.
3. Ensure that the marks are level before you drill the holes, and mount the brackets using the appropriate fixings (not included).
4. Use Figure 2 (refer to drawing below) as a reference to cutdown the ends of the tube to match measurement A (if required).
5. File down any sharp edges before placing the plastic collar on each end of the tube.
6. Insert the wall mount covers into the open ends.
7. Tighten the tension bolt on the inside of the wall mount cover using a torque wrench.
8. Place constructed parts of the backrest set over the wall mounts.
9. Replace and tighten the set screws from Step 1.
10. Use remaining fixings provided to attach the PVC pad to the backrest set, aligning the pad to the centre of the pan.
11. Check that the unit is level and secure to the wall to complete installation.



Features

- 20mm Adjustable Height on Backrest.
- Backrest Standoff: Adjustable depth to suit installation requirements.

Safety Warning

- Ensure that there is proper structure support within the wall. Grab rails are no stronger than the anchors and walls to which they are attached. Grab rails must be firmly secured in order to support the loads for which they are intended.

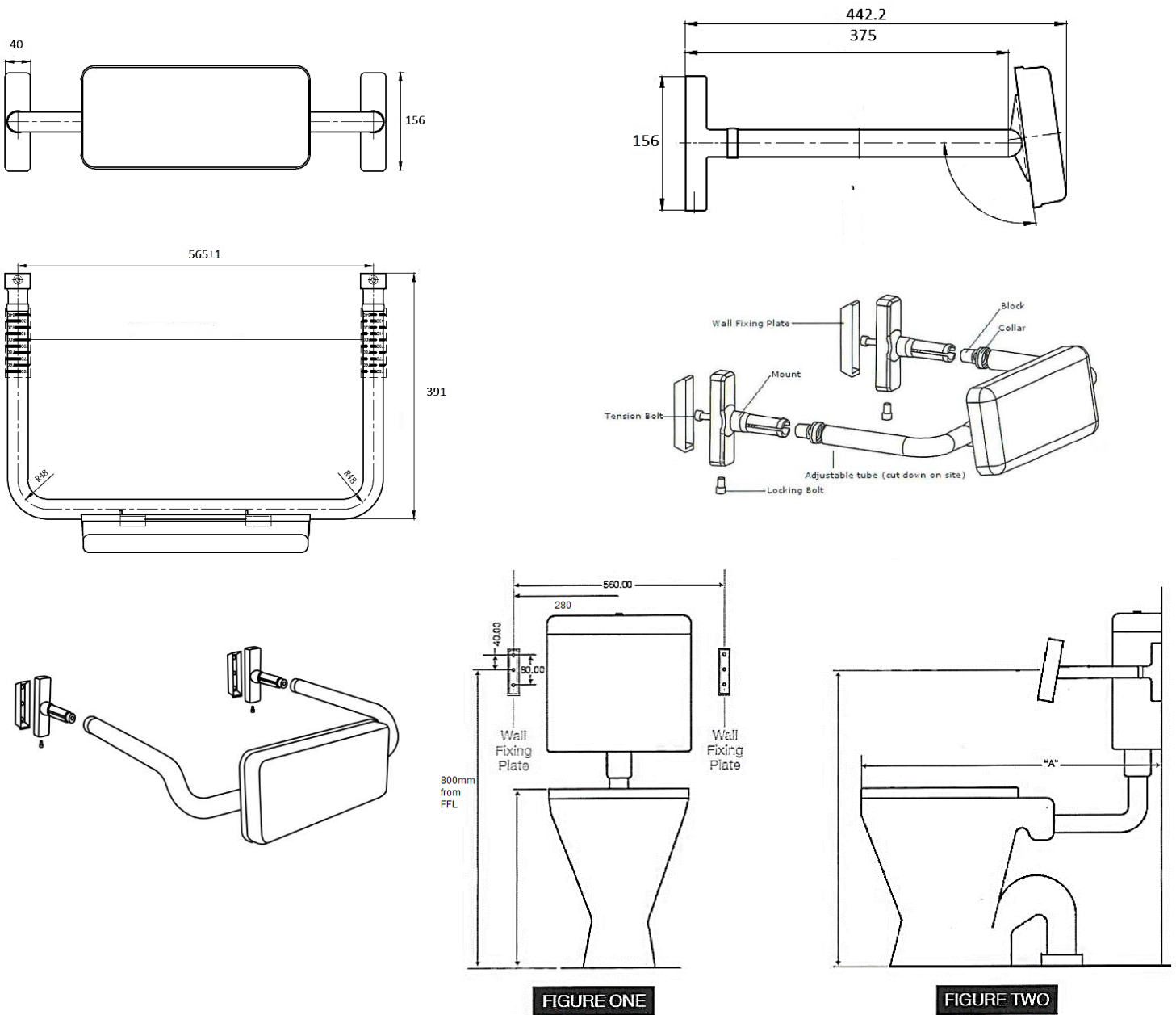


FIGURE ONE

FIGURE TWO

*Drawings depict MLR119MKII Straight Rail Backrest

The photographs and line drawings of the products presented above are representational only. Metlam Australia Pty Ltd reserves the right to, and from time to time, make changes and improvements in design and dimensions.

NOTE:

- This unit is accessible compliant when installed in accordance with AS1428.1. guidelines.
- It is the responsibility of the installer to ensure that the surface/substrate that the unit is installed upon and the fixings used are suitable to withstand the weight bearing loads of the unit and if required as per AS1428 / Australia building code regulations.
- Compliant with the Force Requirements within AS1428.1:2021, Section 14.



This product is AS1428.1 compliant (accessible compliant) when installed in accordance with the guidelines.

The technical recommendations contained in this document are necessarily of a general nature and should not be relied on for specific applications without first securing competent advice. Whilst Metlam Australia Pty Ltd has taken all reasonable steps to ensure the information contained herein is accurate and current, it does not warrant the accuracy or completeness of the information and does not accept liability for errors or omissions. Any Commercial product should only be installed by a competent tradesperson and serviced/maintained by knowledgeable janitorial staff or competent people. Metlam Australia accepts no responsibility for any damage to product, walls or fixtures due to incorrect installation or maintenance of any of their products.

The photographs and line drawings of the products presented above are representational only.
Metlam Australia Pty Ltd reserves the right to, and from time to time, make changes and improvements in design and dimensions.