

MLR120 90° Grab Rail & Vandal Proof Backrest Set

Material Specifications

- #304 Satin Stainless-Steel Frame & Mounts

Set Includes

- MLR120LH_X or MLR120RH_X
- MLR119C_VP
- MLR_BR_350

Mounting

- Concealed Fix

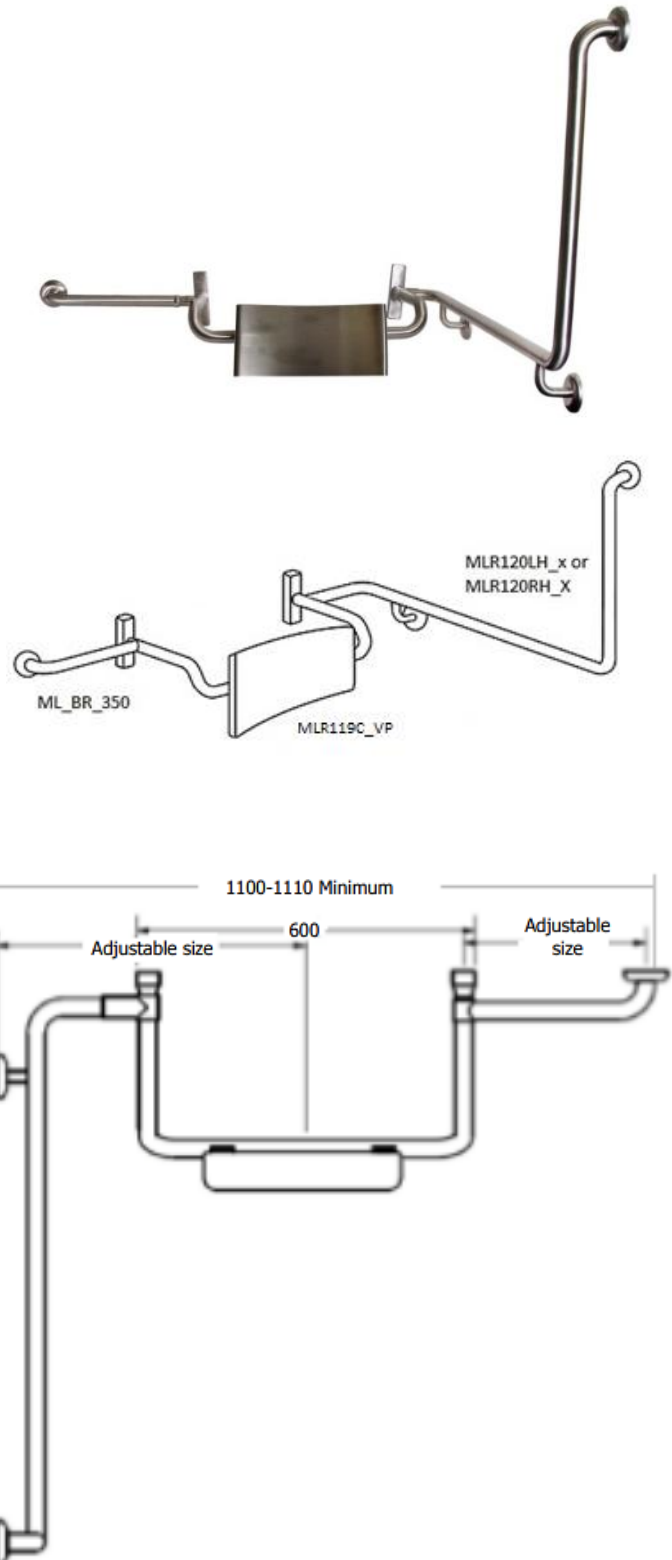
Installation Guidelines

- *May be subject to Australian Building Code Regulations for height and location fixing and may be subject to placement as per architectural drawings. In all cases, this is the responsibility of the installer.*
- *Fixings and anchors are not included with the units and are the responsibility of the installer to appropriately fix the unit to the wall.*

1. Install backrest as per instructions for MLR119CVP.
2. Install the MLR120 Rail and ML_BR_350 Rail by locating fixing position on wall or partition and mark using mounting holes.
3. Attach the MLR120 Rail and the ML_BR_350 to the MLR119CMKII Back Rest Set.
4. Mount the concealed mounting flanges to the wall using appropriate fixings (not supplied).
 - **Note:** For best results, mount the horizontal component of the unit first to ensure the unit is aligned correctly to the fixing points.
5. Slide covers over mounting flanges, ensuring the raised edges of the flange lines up with the dimples of the flange cover. Twist and lock into place.
6. Check the unit is level to finish installation.

Features

- Backrest Standoff: Adjustable depth to suit installation requirements

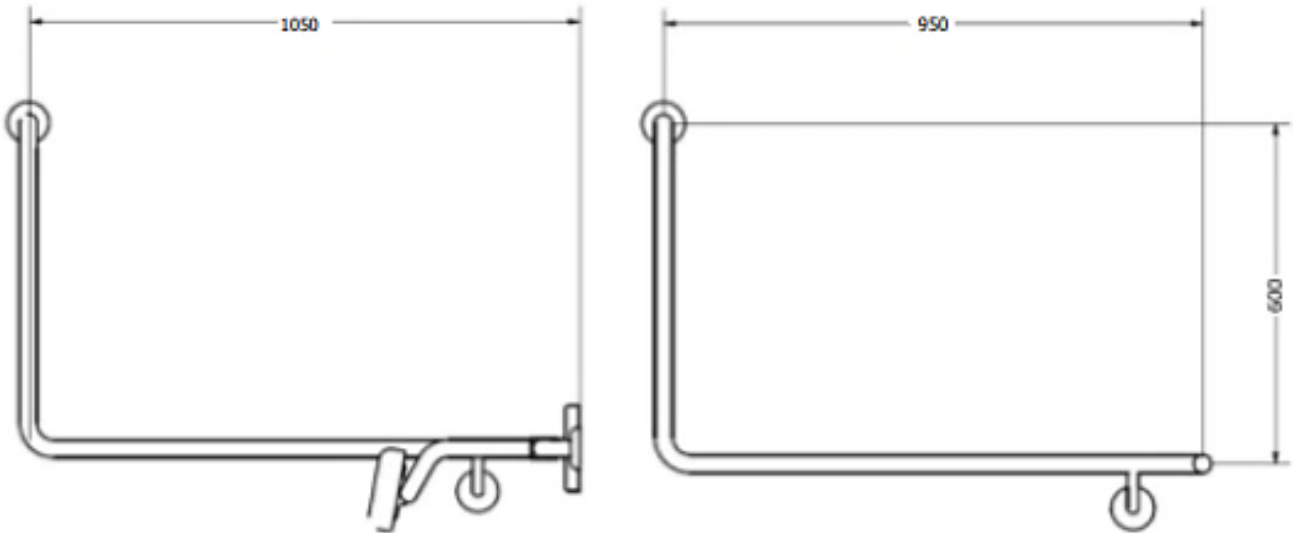


*Drawings depict MLR119MKII Straight Rail Backrest

The photographs and line drawings of the products presented above are representational only. Metlam Australia Pty Ltd reserves the right to, and from time to time, make changes and improvements in design and dimensions.

Safety Warning

- Ensure that there is proper structure support within the wall. Grab rails are no stronger than the anchors and walls to which they are attached. Grab rails must be firmly secured in order to support the loads for which they are intended.



NOTE:

- This unit is accessible compliant when installed in accordance with AS1428.1 guidelines.
- It is the responsibility of the installer to ensure that the surface/substrate that the unit is installed upon and the fixings used are suitable to withstand the weight bearing loads of the unit and if required as per AS1428 / Australia building code regulations.
- Compliant with the Force Requirements within AS1428.1:2021, Section 14.



This product is AS1428.1 compliant (accessible compliant) when installed in accordance with the guidelines.

The technical recommendations contained in this document are necessarily of a general nature and should not be relied on for specific applications without first securing competent advice. Whilst Metlam Australia Pty Ltd has taken all reasonable steps to ensure the information contained herein is accurate and current, it does not warrant the accuracy or completeness of the information and does not accept liability for errors or omissions. Any Commercial product should only be installed by a competent tradesperson and serviced/maintained by knowledgeable janitorial staff or competent people. Metlam Australia accepts no responsibility for any damage to product, walls or fixtures due to incorrect installation or maintenance of any of their products.

The photographs and line drawings of the products presented above are representational only. Metlam Australia Pty Ltd reserves the right to, and from time to time, make changes and improvements in design and dimensions.