

ML_BMFOAMDISP_SS Mounted Auto Foam Soap Dispenser

Material Specifications

- #316 Stainless Steel

Mounting

- Bench (deck) Mounted

Dimensions

- 49.2mmW x 101.3mmH x 142mmD

Installation Guidelines

- *May be subject to Australian Building Code Regulations for height and location fixing and may be subject to placement as per architectural drawings. In all cases, this is the responsibility of the installer.*



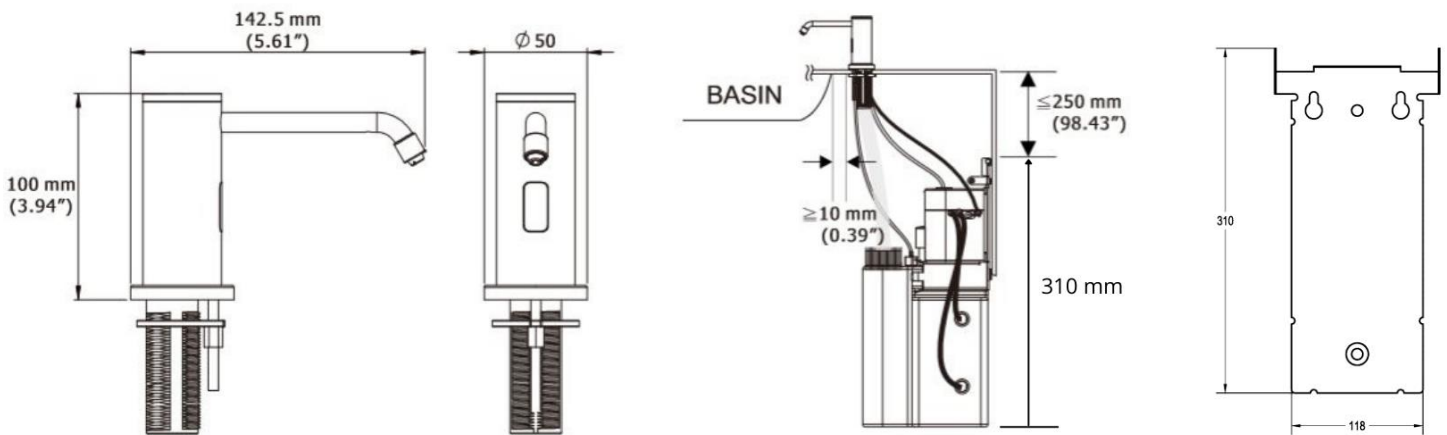
Read steps below in conjunction with the illustrations on the following page.

1. Drill a hole (size 38.1mm / 1.5") on the basin (drawing 1).
2. Insert the top portion of the dispenser through the mounting hole on the deck (with the rubber washer on the top of the deck). Tighten the mounting nut (drawing 2).
3. Make sure the soap rubber tube can touch the wall in order to find the best position to install the control box assembly.
4. Put the mounting template in the best installation position on the wall according to the position of the holes on the mounting template. Then drill 2 holes (size 7mm/ 0.28') and put the 2 wall plugs in the holes (drawing 3).
5. Put two fixing screws into the top wall plugs, but leave a 6mm (0.24") space between the head of the screw and wall, so the control box assembly can hang properly (drawing 4).
6. When the control box assembly has been hung on the wall, fasten the two screws (drawing 5)
7. Connect points A, b and C (drawing 6).
8. Connect the top portion of the dispenser with the soap tube. Please ensure to thread in correctly for five pitches (drawing 7).
9. Connect the lower portion of the dispenser with the soap tube. Please ensure the rubber washer with the soap tube stays in place (drawing 8)
10. Connect the AC adaptor to complete installation. The LED will flash to signal low soap level as the default setting after installation. Please fill soap (drawing 9).

The photographs and line drawings of the products presented above are representational only. Metlam Australia Pty Ltd reserves the right to, and from time to time, make changes and improvements in design and dimensions.

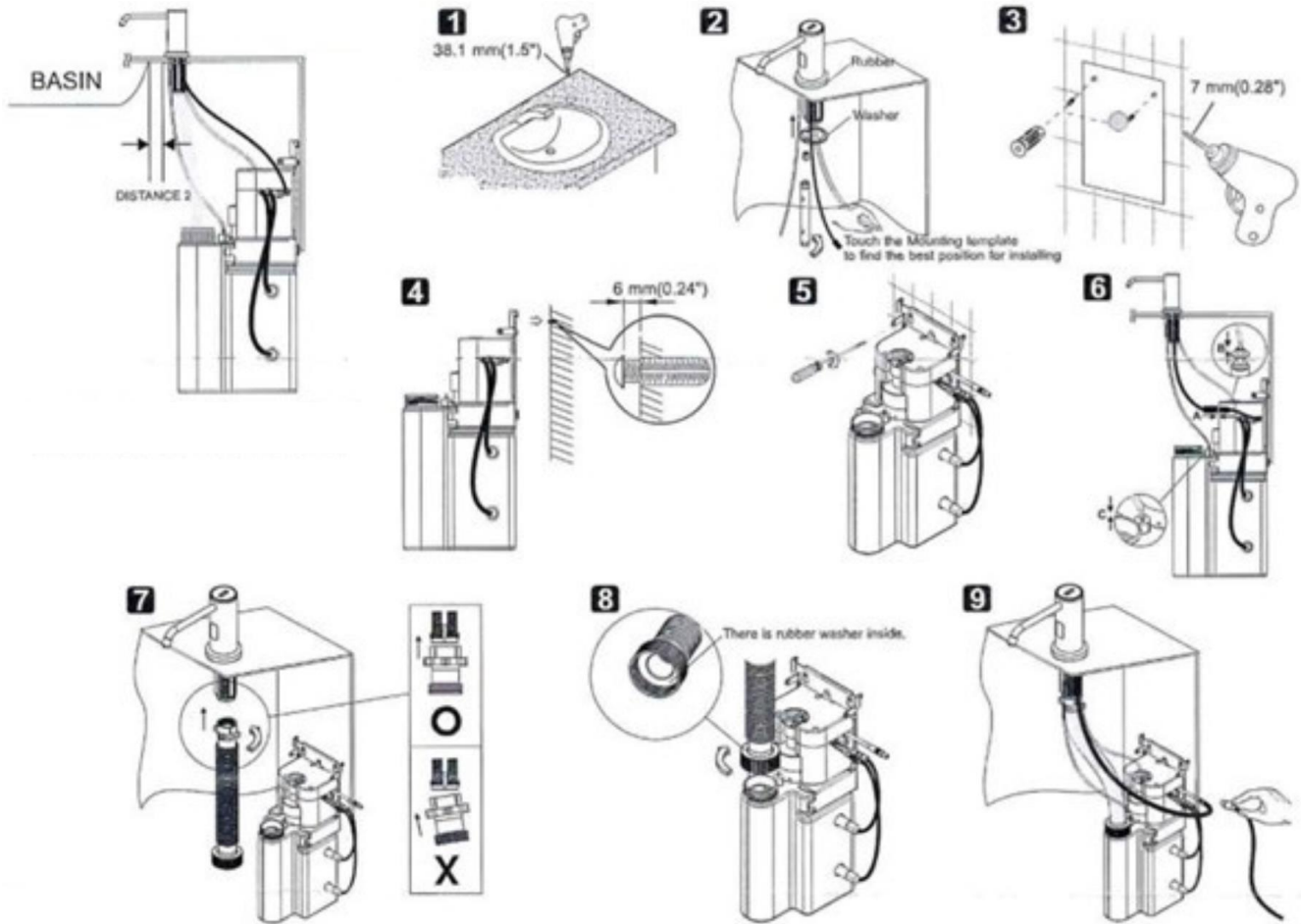
Specification/ Operation

- Soap Tank Capacity: 1500ml
- Adaptor Type Required: 6 Vac Plug-In Adaptor
- Room Temperature: 5-40 Celsius
- Dispensing Volume: Liquid Soap: 1-3000. When the viscosity of the soap is too high, the flow rate of the soap during refill may be slow or soap dispensing volume may be insufficient.
- Operation Mode: Automatic.
- A blinking green light mean the soap tank is empty.
- When the soap tank is filled to 85%, the low soap level warning will stop and the buzzer will sound intermittently to signal sufficient soap level.
- The buzzing will last for 20 seconds during which time the sensor will be turned off to prevent unwanted activation.
- A solid green light means the wrong kind of soap has been used.
- Soap dispenser will dispense once every 48 hours if there is no action in between to avoid a clog of the tip.
- After connecting to the power or refilling the soap, it will continue dispensing soap for a maximum of ten times till the user removes hands.



The photographs and line drawings of the products presented above are representational only. Metlam Australia Pty Ltd reserves the right to, and from time to time, make changes and improvements in design and dimensions.

Installation Guidelines



Filling soap

1. Open the fill port cap with the funnel-key. (Provided)
2. Thread the funnel-key to the fill port to fill soap.
3. Replace the cap after soap filling and use the funnel-key to tighten.



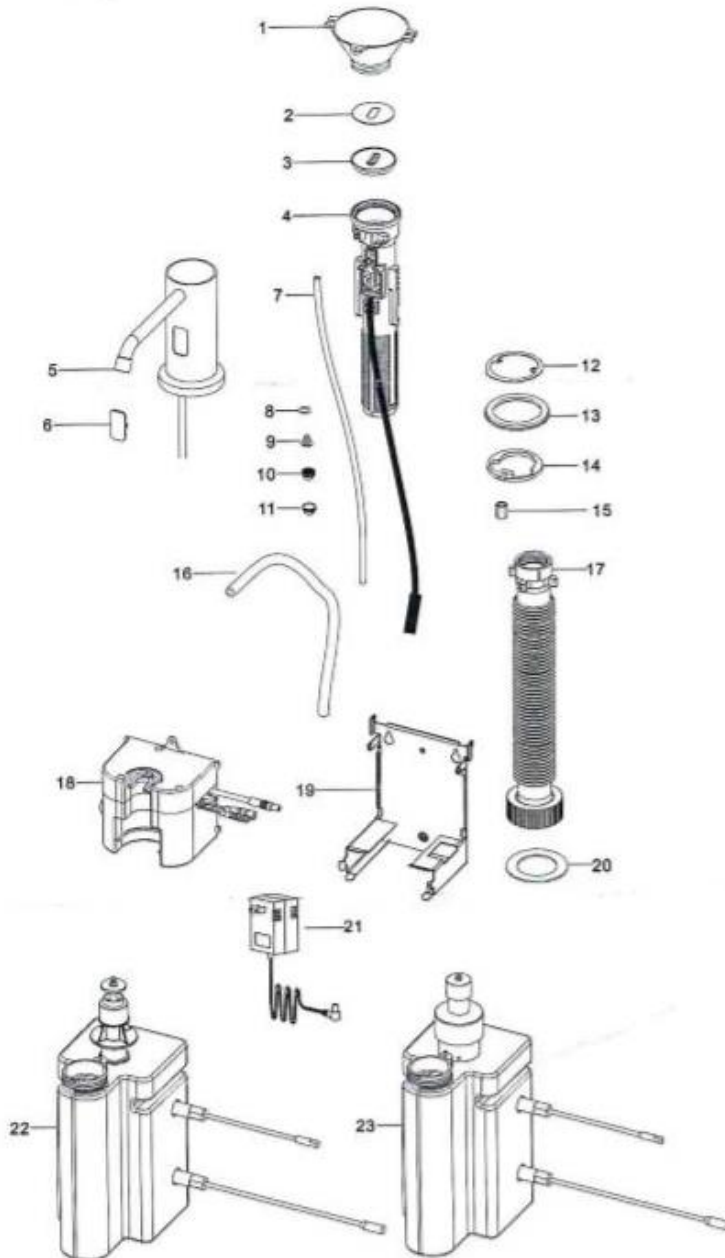
The photographs and line drawings of the products presented above are representational only. Metlam Australia Pty Ltd reserves the right to, and from time to time, make changes and improvements in design and dimensions.

Parts List

Parts list

1. Funnel key
2. Name platet
3. Top cap
4. Sensor assembly
5. SUS par
6. Sensor protector
7. Air tube
8. O ring
9. Elbow connector
10. Net outlet
11. Without net outlet
12. SUS ring
13. Rubber washer
14. SUS washer
15. Screw nut
16. Soap rubber tube
17. Refill tube assembly
18. Control box assembly
19. Base plate
20. Refill tube rubber washer
21. Adaptor
22. Soap pump & tank assembly
23. Foam pump & tank assembly

Diagram



The technical recommendations contained in this document are necessarily of a general nature and should not be relied on for specific applications without first securing competent advice. Whilst Metlam Australia Pty Ltd has taken all reasonable steps to ensure the information contained herein is accurate and current, it does not warrant the accuracy or completeness of the information and does not accept liability for errors or omissions. Any Commercial product should only be installed by a competent tradesperson and serviced/maintained by knowledgeable janitorial staff or competent people. Metlam Australia accepts no responsibility for any damage to product, walls or fixtures due to incorrect installation or maintenance of any of their products.

The photographs and line drawings of the products presented above are representational only.
Metlam Australia Pty Ltd reserves the right to, and from time to time, make changes and improvements in design and dimensions.